

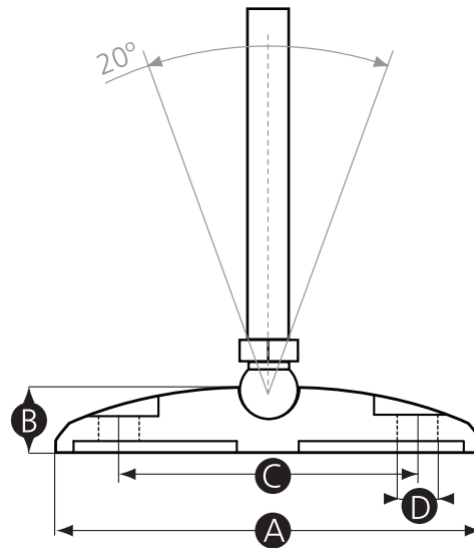
G02BDLF Bolt-Down Die Cast Zinc Levelling Glide

Features

- Glass reinforced nylon base with bolt down holes and zinc plated steel rod
- Suitable for applications where a secure fitting on a flat surface is required
- Many more base and rod size combinations available on request
- Extra grip and anti-vibration available with **G01ASP Rubber Anti Slip Plate** sold separately

Material

- Base: Die cast zinc
- Rod: Zinc plated steel as standard.
Stainless steel available on request
(MOQs apply)



Part No.	A	B	C	D	Thread Size	Thread Length	Max Load	
G02BDLF-15667S	60	26	40	9	M12	100	750 kg	
G02BDLF-15668Z					M12	150	750 kg	
G02BDLF-15669V	80		55		M12	150	750 kg	
G02BDLF-15670R					M16	100	1,400 kg	
G02BDLF-15671Y	100		74		M16	100	1,400 kg	
G02BDLF-15672U					M20	150	2,400 kg	
G02BDLF-15673Q	120		29		94	M20	150	2,400 kg
G02BDLF-15674X						M24	100	3,500 kg